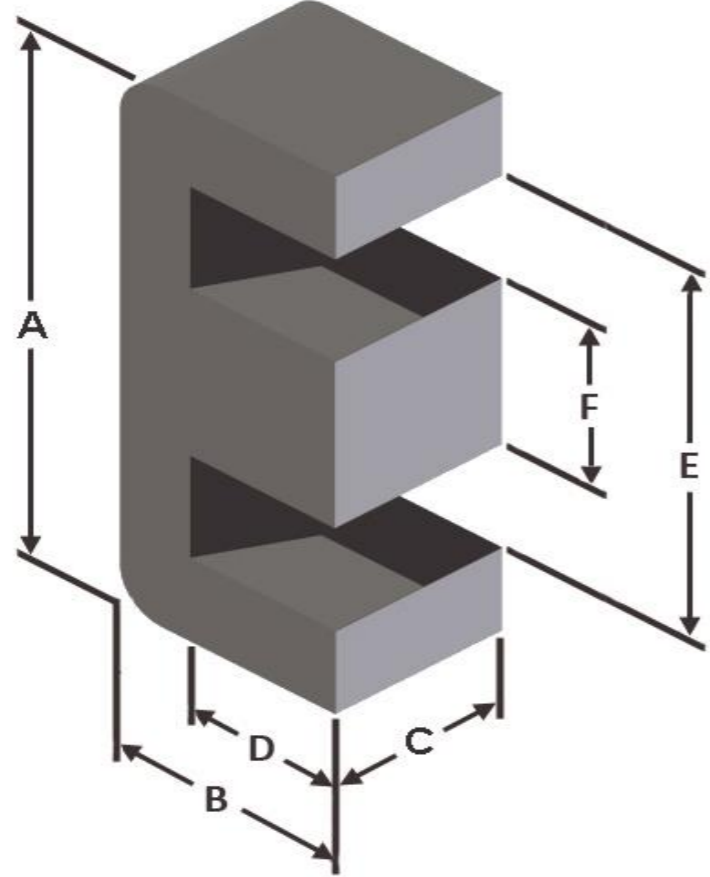




Part Number: EFS-0653327-040

Revision 20160816 - Generated 2016-Aug-16



| | | |
|----------------------------|--|------------------------|
| A | 65.1 ± 0.97 mm | 2.563 ± 0.038 in |
| B | 32.5 ± 0.48 mm | 1.280 ± 0.019 in |
| C | 27 ± 0.53 mm | 1.063 ± 0.021 in |
| D | 22.2 mm (min.) | 0.874 in (min.) |
| E | 44.2 mm (min.) | 1.740 in (min.) |
| F | 19.7 ± 0.41 mm | 0.776 ± 0.016 in |
| Mass | (approximate) | 250 grams/half |
| Magnetic Dimensions | A _e - Eff. Mag. Cross Section | 5.40 cm ² |
| | L _e - Eff. Mag. Path Length | 14.7 cm |
| | V _e - Eff. Core Volume | 79.4 cm ³ |
| | WA - Min. Eff. Window Area | 5.35 cm ² |
| | sa - Surface Area | 177 cm ² |
| | mlt - mean length per turn | 14.2 cm |
| Inductance | μ _i (reference) | 40 |
| | A _L value (nominal) | 230 nH/N ² |
| | Test Winding | N=100, #16 AWG |
| | Frequency | 10 kHz |
| | Voltage on Agilent 4284A | 2.4 V |
| | A _L tolerance | ±8% |
| Core Loss | $\text{Core Loss (mW/cm}^3\text{)} = \frac{f}{\frac{a}{B_{pk}^3} + \frac{b}{B_{pk}^{2.3}} + \frac{c}{B_{pk}^{1.65}}} + d \cdot B_{pk}^2 \cdot f^2$ | |
| | where B _{pk} expressed in gauss, f expressed in hertz, and: a=1.00E+06, b=2.70E+08, c=3.23E+06, d=7.09E-14 | |
| | B _{pk} | 1000 G |
| | frequency | 50 kHz |
| | Core Loss (nominal) | 889 mW/cm ³ |
| Core Loss (maximum) | 1,022 mW/cm ³ | |
| DC Saturation | $\% \mu_i = \frac{1}{a + b \cdot H^c} + d$ | |
| | where H expressed in oersteds, and: a=0.01, b=1.93E-06, c=1.62, d=19.99 | |
| | H _{DC} | 100 Oe |
| | Percent Initial Perm(nom.) | 83.3% |
| Percent Initial Perm(min.) | 79.0% | |
| Coating/Pkg | Coating Type: | None |
| | Voltage Breakdown (min.) | N/A |
| | Limit | N/A |
| | Package Quantity | 45 Halves/Box |

| | | | | | | | | | | | | | |
|----------------------|---------------------|--------|-------|--------|--------|---------|---------|---------|-------|-------|-------|-------|-------|
| Winding Table | Wire Size | AWG | 8 | 10 | 12 | 14 | 16 | 18 | 20 | 22 | 24 | 26 | 28 |
| | | mm | 3.150 | 2.500 | 2.000 | 1.600 | 1.250 | 1.000 | 0.800 | 0.630 | 0.500 | 0.400 | 0.315 |
| | Full Winding | Turns | 29 | 45 | 69 | 107 | 165 | 256 | 396 | 614 | 950 | 1,470 | 2,275 |
| | | Rdc(Ω) | 8.5 m | 21.0 m | 51.1 m | 126.0 m | 309.1 m | 762.6 m | 1.9 | 4.6 | 11.4 | 28.0 | 69.0 |

