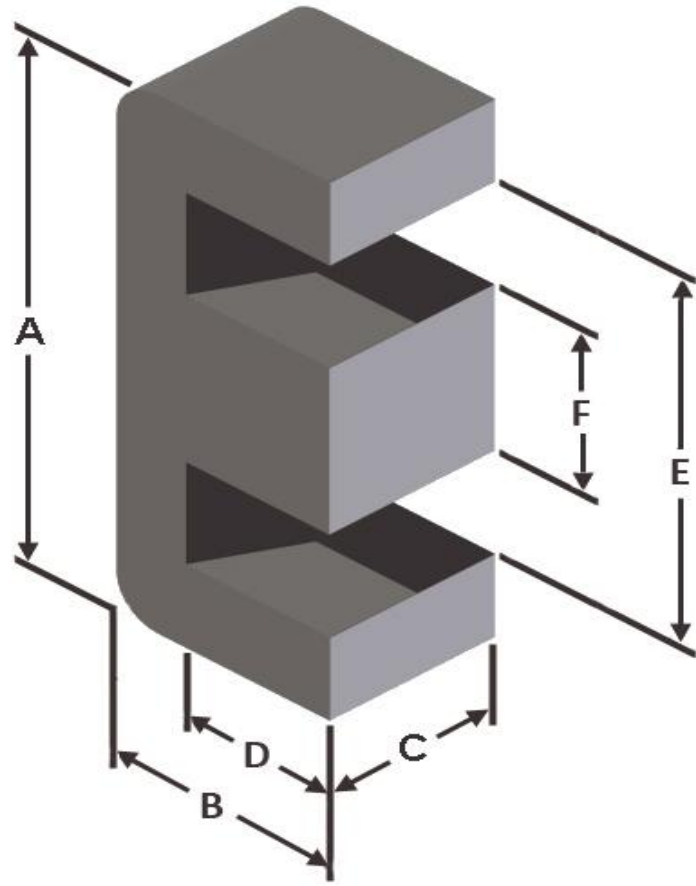




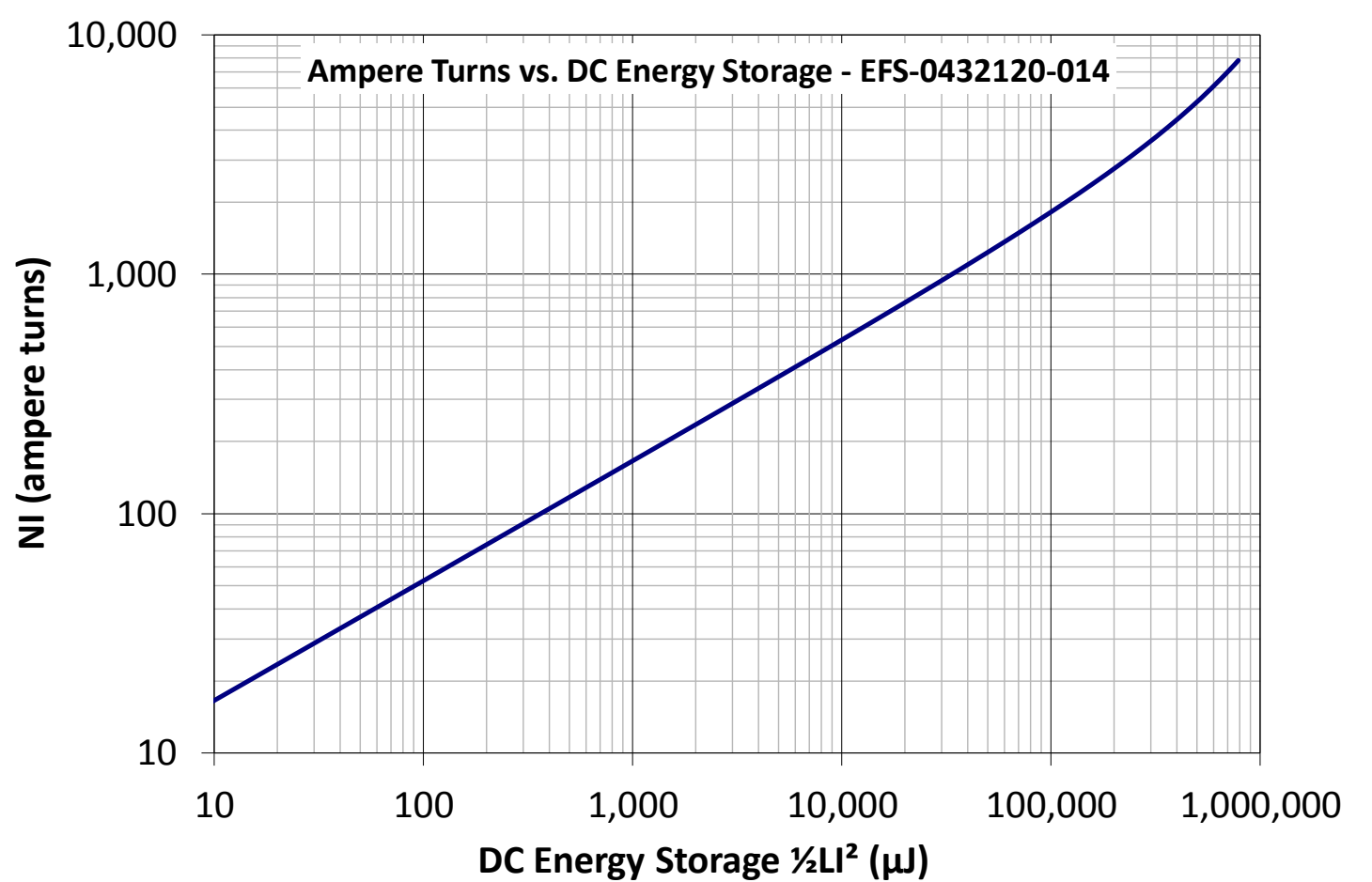
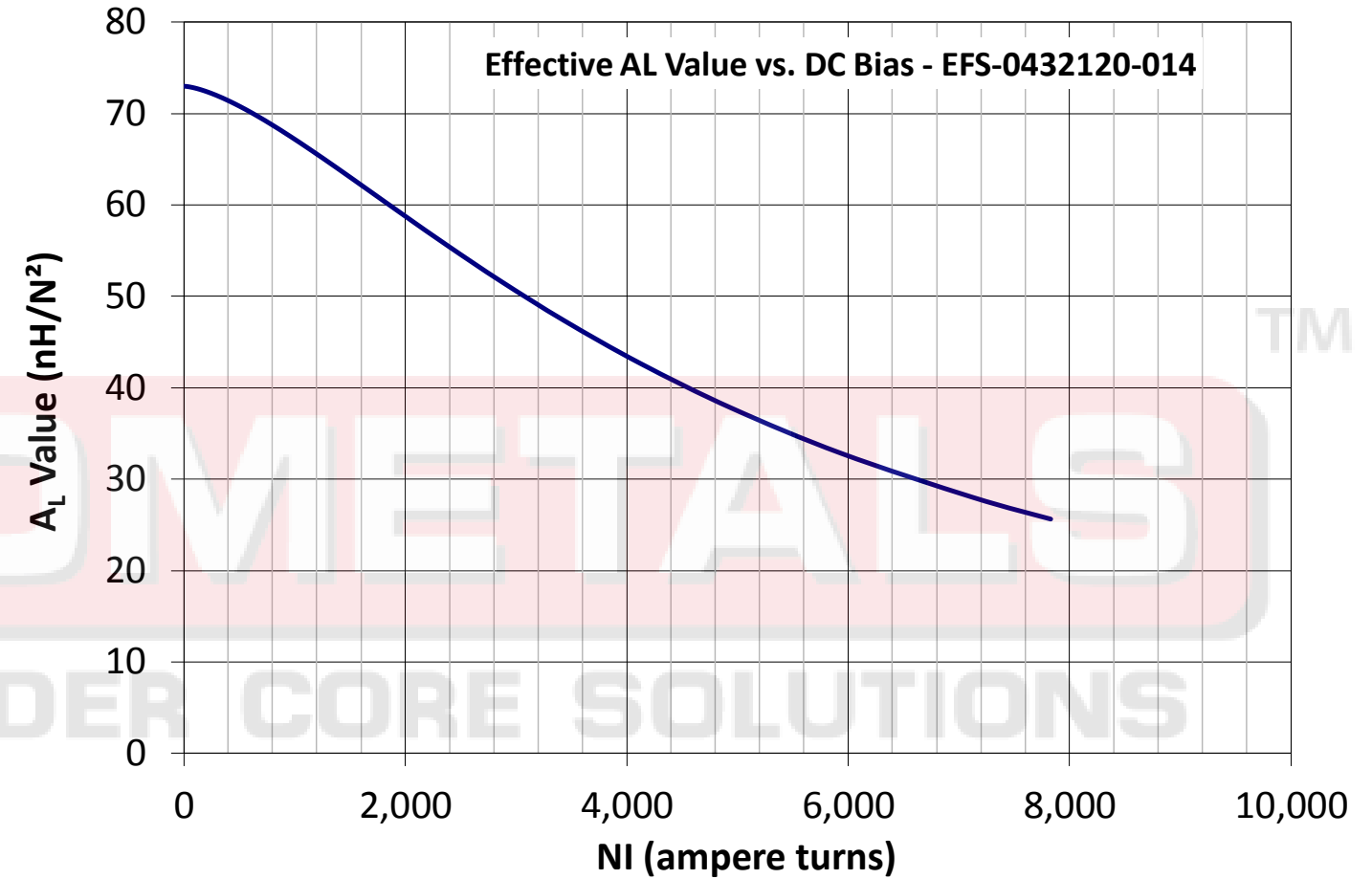
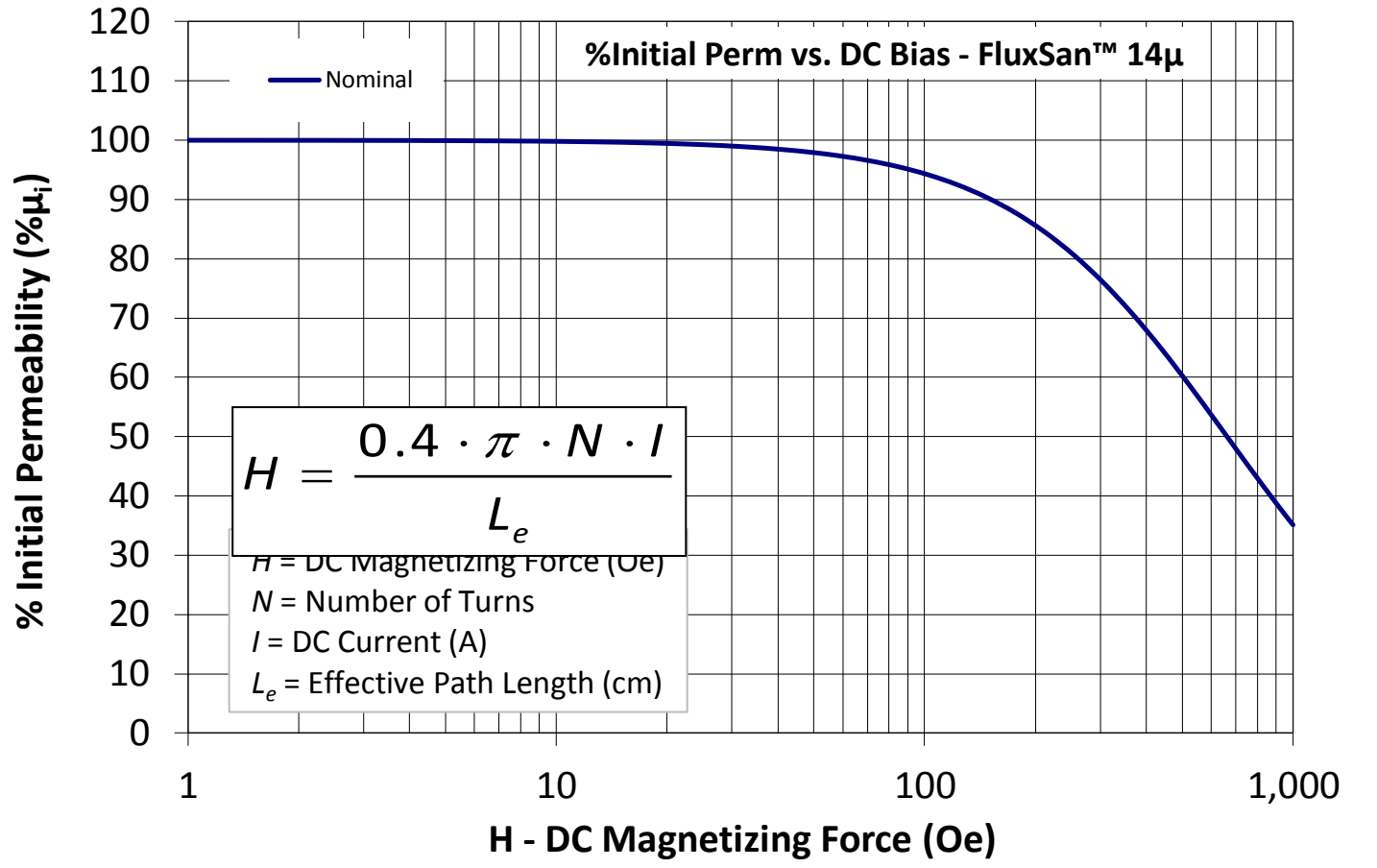
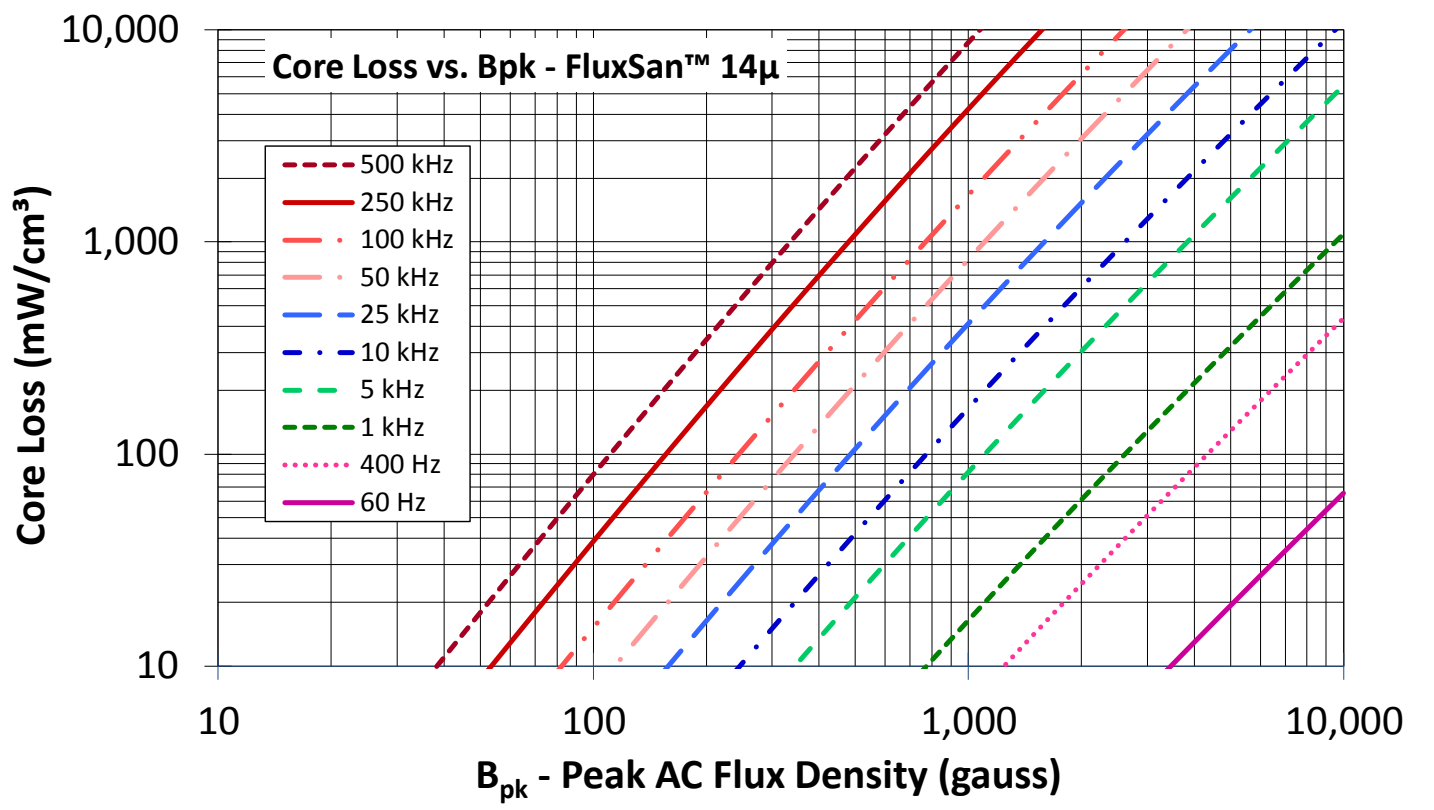
Part Number: EFS-0432120-014

Revision 20190529 - Generated 2019-May-29



A	42.8 ± 0.64 mm	1.685 ± 0.025 in
B	21.1 ± 0.33 mm	0.831 ± 0.013 in
C	20 ± 0.25 mm	0.787 ± 0.010 in
D	15 mm (min.)	0.591 in (min.)
E	30.4 mm (min.)	1.197 in (min.)
F	11.9 ± 0.25 mm	0.469 ± 0.010 in
Mass	(approximate)	66 grams/half
Magnetic Dimensions	A _e - Eff. Mag. Cross Section	2.37 cm ²
	L _e - Eff. Mag. Path Length	9.84 cm
	V _e - Eff. Core Volume	23.3 cm ³
	WA - Min. Eff. Window Area	2.74 cm ²
	sa - Surface Area	81.3 cm ²
	mlt - mean length per turn	10.1 cm
Inductance	μ _i (reference)	14
	A _L value (nominal)	73 nH/N ²
	Test Winding	N=100, #18 AWG
	Frequency	10 kHz
	Voltage on Agilent 4284A	1.1 V
	A _L tolerance	±8%
Core Loss	$\text{Core Loss (mW/cm}^3\text{)} = \frac{a}{B_{pk}^3} + \frac{b}{B_{pk}^{2.3}} + \frac{c}{B_{pk}^{1.65}} + d \cdot B_{pk}^2 \cdot f^2$	
	where B _{pk} expressed in gauss, f expressed in hertz, and: a=1.00E+06, b=2.03E+08, c=3.14E+06, d=2.04E-15	
	B _{pk}	300 G
	frequency	100 kHz
	Core Loss (nominal)	152 mW/cm ³
Core Loss (maximum)	175 mW/cm ³	
DC Saturation	$\% \mu_i = \frac{1}{a + b \cdot H^c} + d$	
	where H expressed in oersteds, and: a=0.01, b=6.29E-07, c=1.49, d=0.00	
	H _{DC}	200 Oe
	Percent Initial Perm(nom.)	85.6%
Percent Initial Perm(min.)	81.9%	
Coating/Pkg	Coating Type:	None
	Voltage Breakdown (min.)	N/A
	Limit	N/A
	Package Quantity	140 Halves/Box

Winding Table	Wire Size	AWG	8	10	12	14	16	18	20	22	24	26	28
		mm	3.150	2.500	2.000	1.600	1.250	1.000	0.800	0.630	0.500	0.400	0.315
	Full Winding	Turns	15	23	35	55	85	131	203	314	486	752	1,164
		Rdc(Ω)	3.1 m	7.6 m	18.3 m	45.9 m	112.7 m	276.2 m	680.8 m	1.7	4.1	10.1	25.0



Handling and Storage: Cores should be stored in the original unopened packaging between -10°C and +50°C and less than 60% relative humidity. After the original packaging is opened, the cores should be stored between -8°C and +25°C less than 30% relative humidity. Gloves should be used when handling uncoated cores. The cores should also be sheltered from rain, moisture, salt water, salt air, plasters, ashes, sulfur, sulfur dioxide, ammonia sulfates, soils, acids, metals shavings, and solvents.

Operating Temperature: Cores can be used continuously at operating temperatures between -60°C and +200°C.

RoHS 2.0, REACH and ISO (TS16949, ISO 9001, ISO 14001) compliant. Statements available for download at www.micrometalsapc.com.