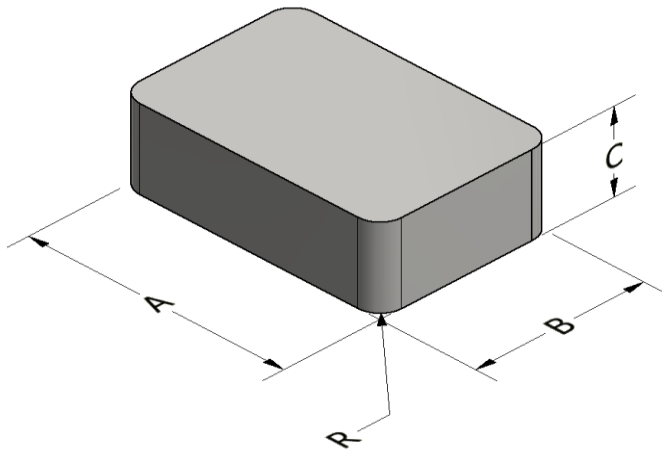




Part Number: **BMS-0803035-075**

Revision 20160414 - Generated 2016-Apr-28



| | | |
|----------------------|--|------------------------|
| A | 80.00 ± 0.50 mm | 3.150 ± 0.020 in |
| B | 30.00 ± 0.50 mm | 1.181 ± 0.020 in |
| C | 35.00 ± 0.50 mm | 1.378 ± 0.020 in |
| R | 1.5 ± 0.50 mm | 0.059 ± 0.020 in |
| | μ_i (reference) | 75 |
| Mass | (approximate) | 490 grams |
| Core Loss | $\text{Core Loss (mW/cm}^3\text{)} = \frac{a}{B_{pk}^3} + \frac{b}{B_{pk}^{2.3}} + \frac{c}{B_{pk}^{1.65}} + d \cdot B_{pk}^2 \cdot f^2$ | |
| | where B_{pk} expressed in gauss, f expressed in hertz, and: $a=1.00E+06$, $b=1.56E+09$, $c=7.14E+06$, $d=2.27E-14$ | |
| | B_{pk} | 1000 G |
| | frequency | 50 kHz |
| | Core Loss (nominal) | 237 mW/cm ³ |
| Core Loss (maximum) | 273 mW/cm ³ | |
| DC Saturation | $\% \mu_i = \frac{1}{a + b \cdot H^c} + d$ | |
| | where H expressed in oersteds, and: $a=0.01$, $b=1.22E-05$, $c=1.60$, $d=0.00$ | |
| | H_{dc} | 50 Oe |
| | Percent Initial Perm(nom.) | 61.4% |
| | Percent Initial Perm(min.) | 54.3% |
| Coating/Pkg | Coating Type: | None |
| | Voltage Breakdown (min.) | N/A |
| | Limit | N/A |
| | Package Quantity | 30 Pieces/Box |

