

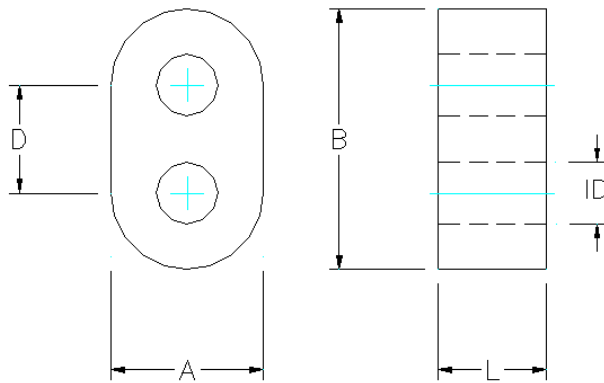


TEL (714) 970-9400
 USA (800) 356-5977
 FAX (714) 970-0400

DATA SHEET
 Part Number: BLN814-8/94

Description: RF Iron Powder Balun Core

Dimensions: inches (millimeters)



<u>A</u>	<u>B</u>	<u>ID</u>	<u>L</u>	<u>D</u>
.082	.140	.033	.093	.058
(2.08)	(3.56)	(0.84)	(2.36)	(1.47)

Tolerances: Dimensions A, B, ID & D +/- .005 inches (0.127mm)
 Length (L) +/- .007 inches (0.178mm)

Material Characteristics:

Material Type: Micrometals Mix -8
 Initial Permeability: 35 (reference)
 Temperature Stability: +255ppm/C° typical
 Path Length: 0.753 cm
 Area: 0.022 cm²
 AI Value: 14.4nH/N² +/-10%
 Test Winding: 20 turns, AWG-40, hole to hole (10 actual turns)
 Inductance (HP4277A, F = 1MHz) 1.584µH Max / 1.296µH Min
 Q Factor (HP4342A, F =5MHz) 33 minimum
 Coating: Parylene-C, 1/2 mil thick nominal, no color code
 Micrometals Iron Powder Cores comply with the EU Directives 2002/95/EC and 2003/11/EC.
 Any possible unintentional RoHS trace elements are less than 10 ppm.