

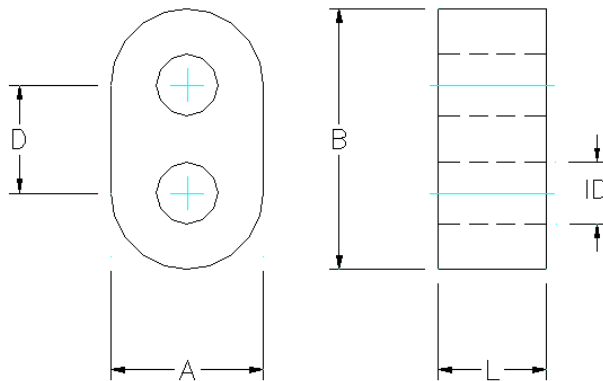


TEL (714) 970-9400  
 USA (800) 356-5977  
 FAX (714) 970-0400

DATA SHEET  
 Part Number: BLN814-10/94

Description: RF Iron Powder Balun Core

Dimensions: inches (millimeters)



<u>A</u>	<u>B</u>	<u>ID</u>	<u>L</u>	<u>D</u>
.082	.140	.033	.093	.058
(2.08)	(3.56)	(0.84)	(2.36)	(1.47)

Tolerances: Dimensions A, B, ID & D +/- .005 inches (0.127mm)  
 Length (L) +/- .007 inches (0.178mm)

Material Characteristics:

Material Type: Micrometals Mix -10  
 Initial Permeability: 6 (reference)  
 Temperature Stability: +150ppm/C° typical  
 Path Length: 0.753 cm  
 Area: 0.022 cm<sup>2</sup>  
 AI Value: 5.6nH/N<sup>2</sup> +/-5%  
 Test Winding: 10 turns, AWG-36, hole to hole (5 actual turns)  
 Inductance (HP4277A, F = 1MHz) 0.147 uH Max / 0.1133 uH Min  
 Q Factor (HP4342A, F =30MHz) 54 minimum  
 Coating: Parylene-C, 1/2 mil thick nominal, no color code  
 Micrometals Iron Powder Cores comply with the EU Directives 2002/95/EC and 2003/11/EC.  
 Any possible unintentional RoHS trace elements are less than 10 ppm.