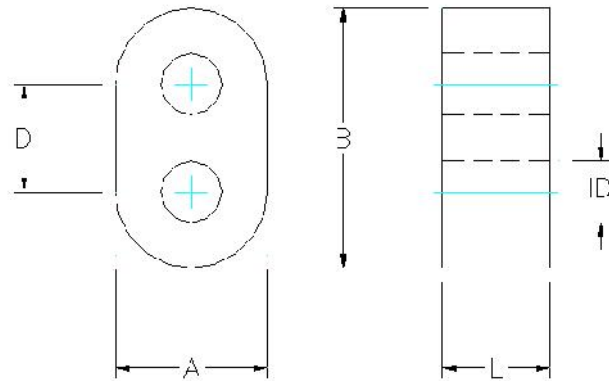




DATA SHEET

Part Number: BLN1728-2A/94
 Description: Iron Powder Balun Core



Dimensions: inches (millimeters)

<u>A</u>	<u>B</u>	<u>ID</u>	<u>L</u>	<u>D</u>
0.169 (4.29)	0.282 (7.16)	0.077 (1.96)	0.125 (3.17)	0.144 (3.66)

Tolerances: Dimensions A, B, ID & D +/- 0.005 inches (0.13mm)
 Length (L) +/- 0.007 inches (0.178mm)

Material Characteristics:

Material Type:	Micrometals Mix -2
Initial Permeability:	10 (reference)
Temperature Stability:	+95ppm/C° typical
AI Value:	11.0nH/N ² , +/-5%
Test Winding:	10 turns, AWG-36 (hole to hole)
Inductance (HP4277A, 1MHz)	1.10uH +/-5%
Q Factor (HP4232A, 15 MHz)	95 minimum
Coating:	0.0005" Parylene-C, no color code

Note: The Thermal Aging characteristics of Micrometals Mix -8 are unique to Micrometals alone and not our competitors. All other magnetic properties as described in Micrometals RF Catalog, issue H, Dec 2005. Micrometals Iron Powder Cores comply with the EU Directives 2002/95/EC and 2003/11/EC. Any possible unintentional RoHS trace elements present are less than 100 ppm.