

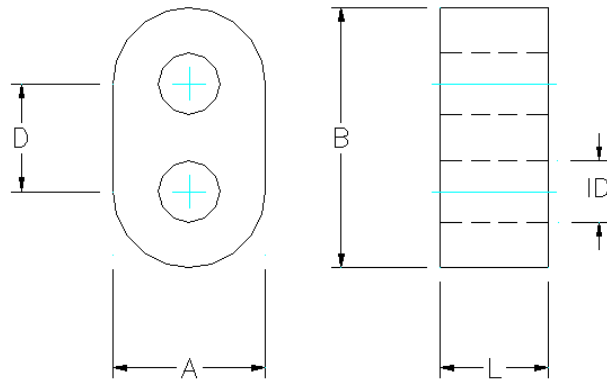


DATA SHEET

Part Number: BLN1728-10/94

Description: Iron Powder Balun Core

Dimensions: inches (millimeters)



<u>A</u>	<u>B</u>	<u>ID</u>	<u>L</u>	<u>D</u>
.169	.282	.077	.250	.114
(4.29)	(7.16)	(1.96)	(6.35)	(2.90)

Tolerances: Dimensions A, B, ID & D +/- .005 inches (0.13mm)
 Length (L) +/- .007 inches (0.178mm)

Material Characteristics:

Material Type:	Micrometals Mix -10
Initial Permeability:	6 (reference)
Temperature Stability:	+150 ppm/C° typical
AI Value:	15.8nH/N², +/-10%
Test Winding:	5 turns, AWG-36 (hole to hole)
Inductance (HP4277A, 1 MHz)	0.395uH +/-5%
Q Factor (HP4342A, 30 MHz)	90 minimum
Coating:	0.0005" Parylene-C, no color code

Note: The Thermal Aging characteristics of Micrometals Mix -10 are unique to Micrometals alone and not our competitors. All other magnetic properties as described in Micrometals RF Catalog, issue H, 2005