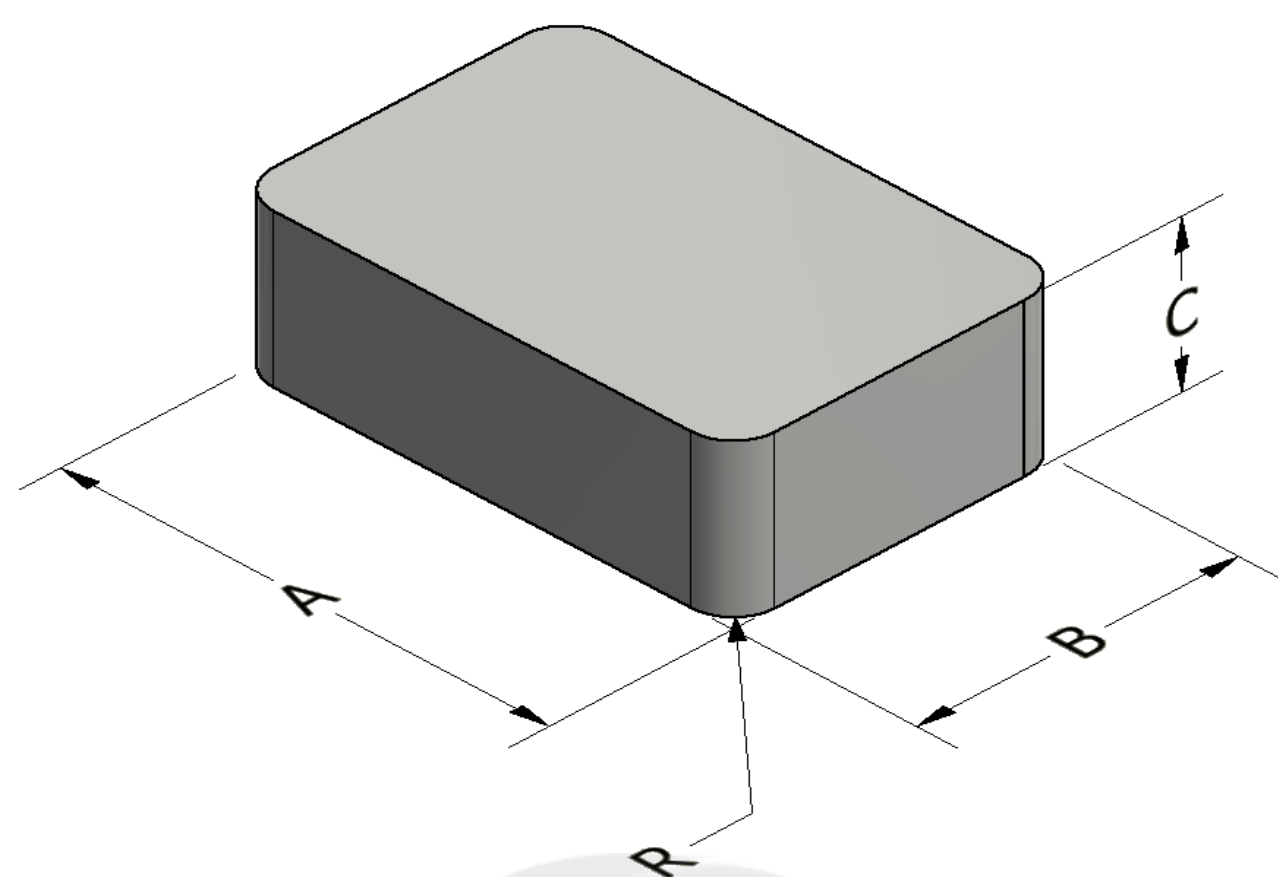




**Part Number:** **BFS-0603015-040**

Revision 20190529 - Generated 2019-May-29



|                      |  |                        |
|----------------------|--|------------------------|
| <b>A</b>             | 60.00 ± 0.50 mm  | 2.362 ± 0.020 in       |
| <b>B</b>             | 30.00 ± 0.50 mm  | 1.181 ± 0.020 in       |
| <b>C</b>             | 15.00 ± 0.50 mm  | 0.591 ± 0.020 in       |
| <b>R</b>             | 1.5 ± 0.50 mm  | 0.059 ± 0.020 in       |
|                      | $\mu_i$ (reference)  | 40                     |
| <b>Mass</b>          | (approximate)  | 170 grams              |
| <b>Core Loss</b>     | $\text{Core Loss (mW/cm}^3\text{)} = \frac{f}{\frac{a}{Bpk^3} + \frac{b}{Bpk^{2.3}} + \frac{c}{Bpk^{1.65}}} + d \cdot Bpk^2 \cdot f^2$ |                        |
|                      | where $B_{pk}$ expressed in gauss, $f$ expressed in hertz, and:<br>$a=1.00E+06$ , $b=2.70E+08$ , $c=3.23E+06$ , $d=7.09E-14$           |                        |
|                      | $B_{pk}$   | 1000 G                 |
|                      | frequency  | 50 kHz                 |
|                      | Core Loss (nominal)  | 889 mW/cm <sup>3</sup> |
| Core Loss (maximum)  | 1,022 mW/cm <sup>3</sup>   |                        |
| <b>DC Saturation</b> | $\% \mu_i = \frac{1}{a + b \cdot H^c} + d$   |                        |
|                      | where $H$ expressed in oersteds, and:<br>$a=0.01$ , $b=1.53E-06$ , $c=1.62$ , $d=0.00$   |                        |
|                      | $H_{DC}$   | 100 Oe                 |
|                      | Percent Initial Perm(nom.)   | 79.0%                  |
|                      | Percent Initial Perm(min.)   | 73.7%                  |
| <b>Coating/Pkg</b>   | Coating Type:  | None                   |
|                      | Voltage Breakdown (min.)   | N/A                    |
|                      | Limit  | N/A                    |
|                      | Package Quantity   | 75 Pieces/Box          |

