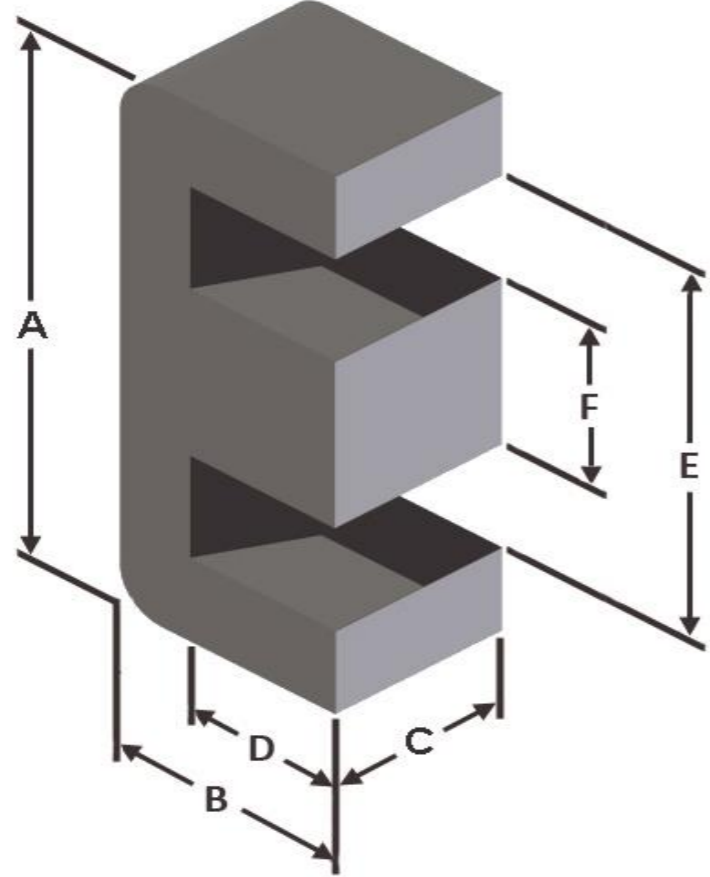




**Part Number:** EFS-0351415-040

Revision 20160816 - Generated 2016-Aug-16



<b>A</b>	34.5 ± 0.51 mm	1.358 ± 0.020 in
<b>B</b>	14.1 ± 0.23 mm	0.555 ± 0.009 in
<b>C</b>	15 ± 0.18 mm	0.591 ± 0.007 in
<b>D</b>	9.6 mm (min.)	0.378 in (min.)
<b>E</b>	25.3 mm (min.)	0.996 in (min.)
<b>F</b>	9.3 ± 0.20 mm	0.366 ± 0.008 in
<b>Mass</b>	(approximate)	29 grams/half
<b>Magnetic Dimensions</b>	A <sub>e</sub> - Eff. Mag. Cross Section	1.34 cm <sup>2</sup>
	L <sub>e</sub> - Eff. Mag. Path Length	6.94 cm
	V <sub>e</sub> - Eff. Core Volume	9.30 cm <sup>3</sup>
	WA - Min. Eff. Window Area	1.52 cm <sup>2</sup>
	sa - Surface Area	45.4 cm <sup>2</sup>
mlt - mean length per turn	8.06 cm	
<b>Inductance</b>	μ <sub>i</sub> (reference)	40
	A <sub>L</sub> value (nominal)	121 nH/N <sup>2</sup>
	Test Winding	N=100, #20 AWG
	Frequency	10 kHz
	Voltage on Agilent 4284A	0.59 V
A <sub>L</sub> tolerance	±8%	
<b>Core Loss</b>	$\text{Core Loss (mW/cm}^3\text{)} = \frac{f}{\frac{a}{B_{pk}^3} + \frac{b}{B_{pk}^{2.3}} + \frac{c}{B_{pk}^{1.65}}} + d \cdot B_{pk}^2 \cdot f^2$	
	where B <sub>pk</sub> expressed in gauss, f expressed in hertz, and: a=1.00E+06, b=2.70E+08, c=3.23E+06, d=7.09E-14	
	B <sub>pk</sub>	1000 G
	frequency	50 kHz
	Core Loss (nominal)	889 mW/cm <sup>3</sup>
Core Loss (maximum)	1,022 mW/cm <sup>3</sup>	
<b>DC Saturation</b>	$\% \mu_i = \frac{1}{a + b \cdot H^c} + d$	
	where H expressed in oersteds, and: a=0.01, b=1.93E-06, c=1.62, d=19.99	
	H <sub>DC</sub>	100 Oe
	Percent Initial Perm(nom.)	83.3%
Percent Initial Perm(min.)	79.0%	
<b>Coating/Pkg</b>	Coating Type:	None
	Voltage Breakdown (min.)	N/A
	Limit	N/A
	Package Quantity	189 Halves/Box

<b>Winding Table</b>	<b>Wire Size</b>	AWG	12	14	16	18	20	22	24	26	28	30	32
		mm	2.000	1.600	1.250	1.000	0.800	0.630	0.500	0.400	0.315	0.250	0.200
	<b>Full Winding</b>	Turns	20	30	47	73	112	174	269	417	645	998	1,545
	Rdc(Ω)	8.4 m	20.0 m	49.8 m	123.1 m	300.3 m	742.1 m	1.8	4.5	11.1	27.2	67.0	

