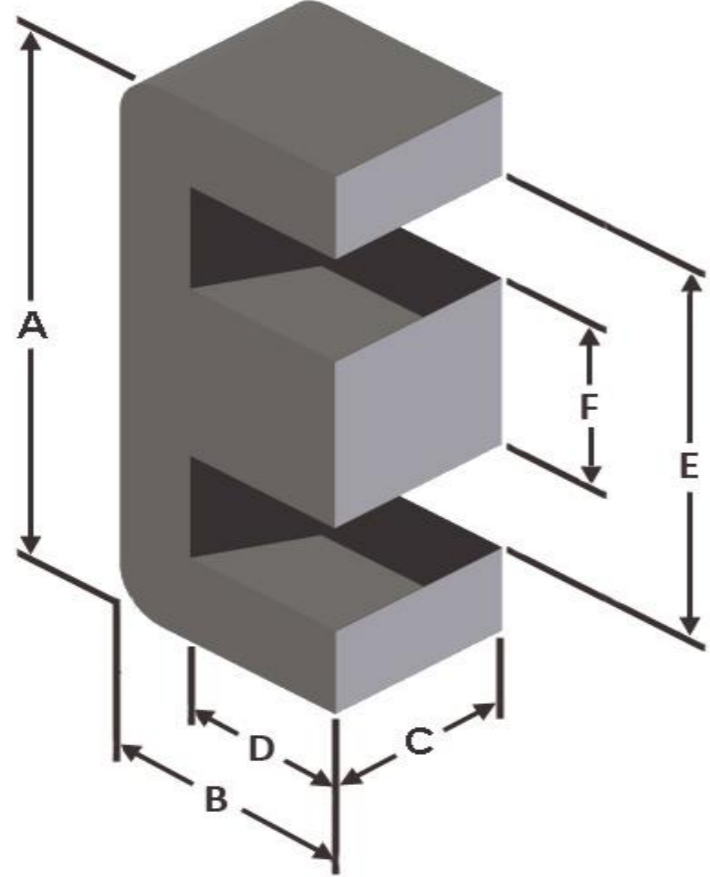




Part Number: EFS-0130604-014

Revision 20160816 - Generated 2016-Aug-16



A	12.7 ± 0.25 mm	0.500 ± 0.010 in
B	6.4 ± 0.10 mm	0.252 ± 0.004 in
C	3.56 ± 0.15 mm	0.140 ± 0.006 in
D	4.42 mm (min.)	0.174 in (min.)
E	8.89 mm (min.)	0.350 in (min.)
F	3.56 ± 0.13 mm	0.140 ± 0.005 in
Mass	(approximate)	1.1 grams/half
Magnetic Dimensions	A _e - Eff. Mag. Cross Section	0.130 cm ²
	L _e - Eff. Mag. Path Length	2.96 cm
	V _e - Eff. Core Volume	0.385 cm ³
	WA - Min. Eff. Window Area	0.230 cm ²
	sa - Surface Area	6.01 cm ²
mlt - mean length per turn	2.49 cm	
Inductance	μ _i (reference)	14
	A _L value (nominal)	13 nH/N ²
	Test Winding	N=100, #28 AWG
	Frequency	10 kHz
	Voltage on Agilent 4284A	0.058 V
A _L tolerance	±8%	
Core Loss	$\text{Core Loss (mW/cm}^3\text{)} = \frac{f}{\frac{a}{B_{pk}^3} + \frac{b}{B_{pk}^{2.3}} + \frac{c}{B_{pk}^{1.65}}} + d \cdot B_{pk}^2 \cdot f^2$	
	where B _{pk} expressed in gauss, f expressed in hertz, and: a=1.00E+06, b=7.92E+07, c=2.34E+06, d=5.39E-14	
	B _{pk}	300 G
	frequency	100 kHz
	Core Loss (nominal)	334 mW/cm ³
Core Loss (maximum)	384 mW/cm ³	
DC Saturation	$\% \mu_i = \frac{1}{a + b \cdot H^c} + d$	
	where H expressed in oersteds, and: a=0.02, b=2.59E-07, c=1.55, d=41.68	
	H _{DC}	200 Oe
	Percent Initial Perm(nom.)	96.9%
Percent Initial Perm(min.)	96.0%	
Coating/Pkg	Coating Type:	None
	Voltage Breakdown (min.)	N/A
	Limit	N/A
	Package Quantity	1,500 Halves/Box

Winding Table	Wire Size	AWG	20	22	24	26	28	30	32	34	36	38	40
		mm	0.800	0.630	0.500	0.400	0.315	0.250	0.200	0.160	0.125	0.100	0.080
	Full Winding	Turns	17	26	41	63	98	151	234	363	561	869	1,345
	Rdc(Ω)		14.1 m	34.3 m	85.9 m	209.9 m	519.4 m	1.3	3.1	7.7	19.0	46.9	115.3

